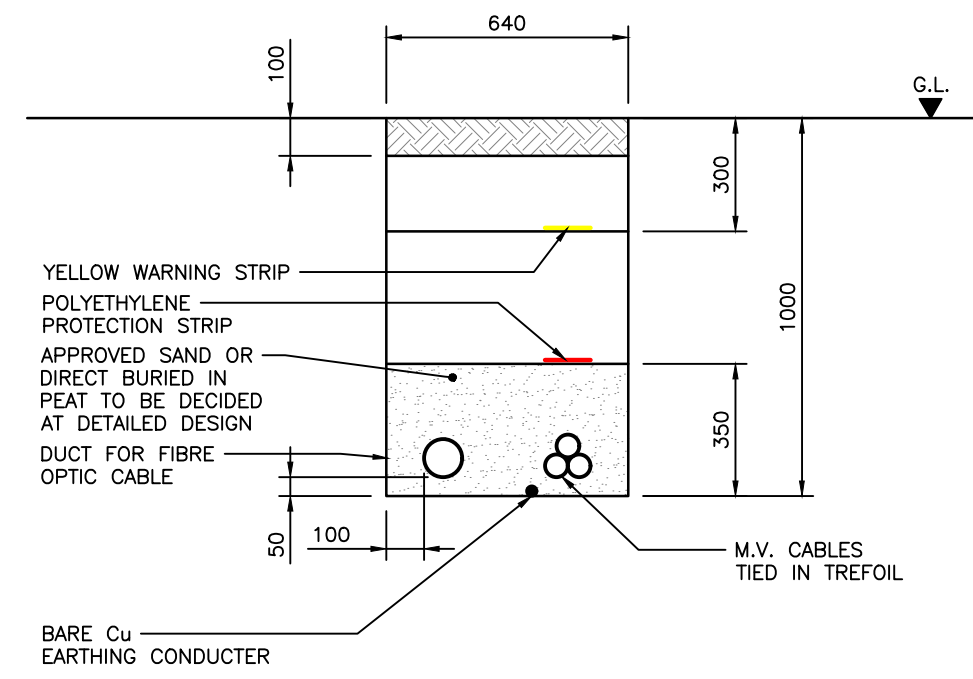
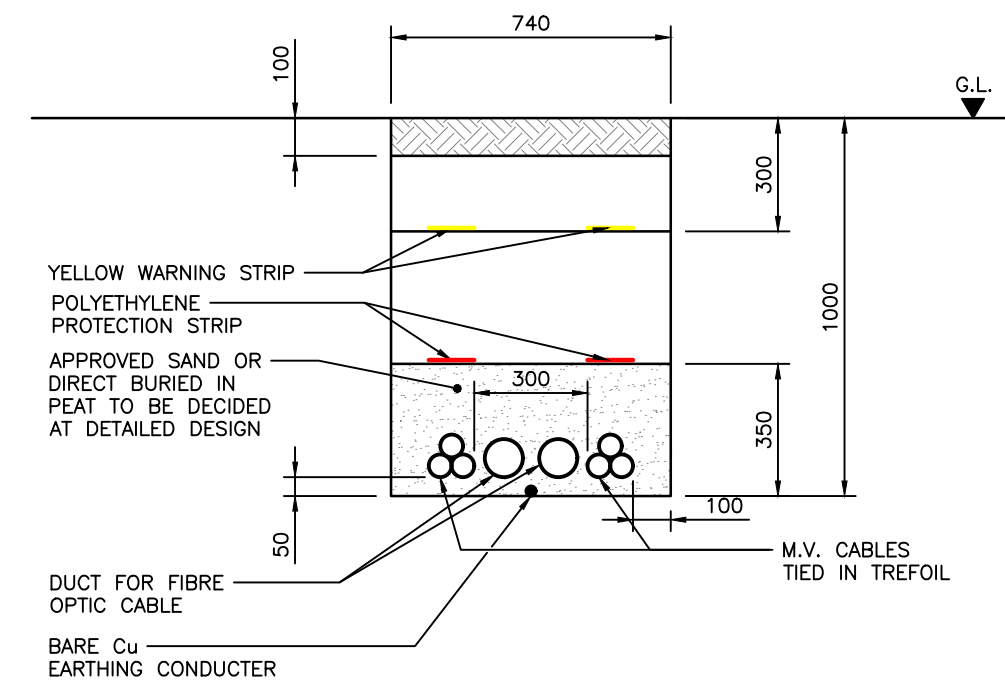


NOTES:

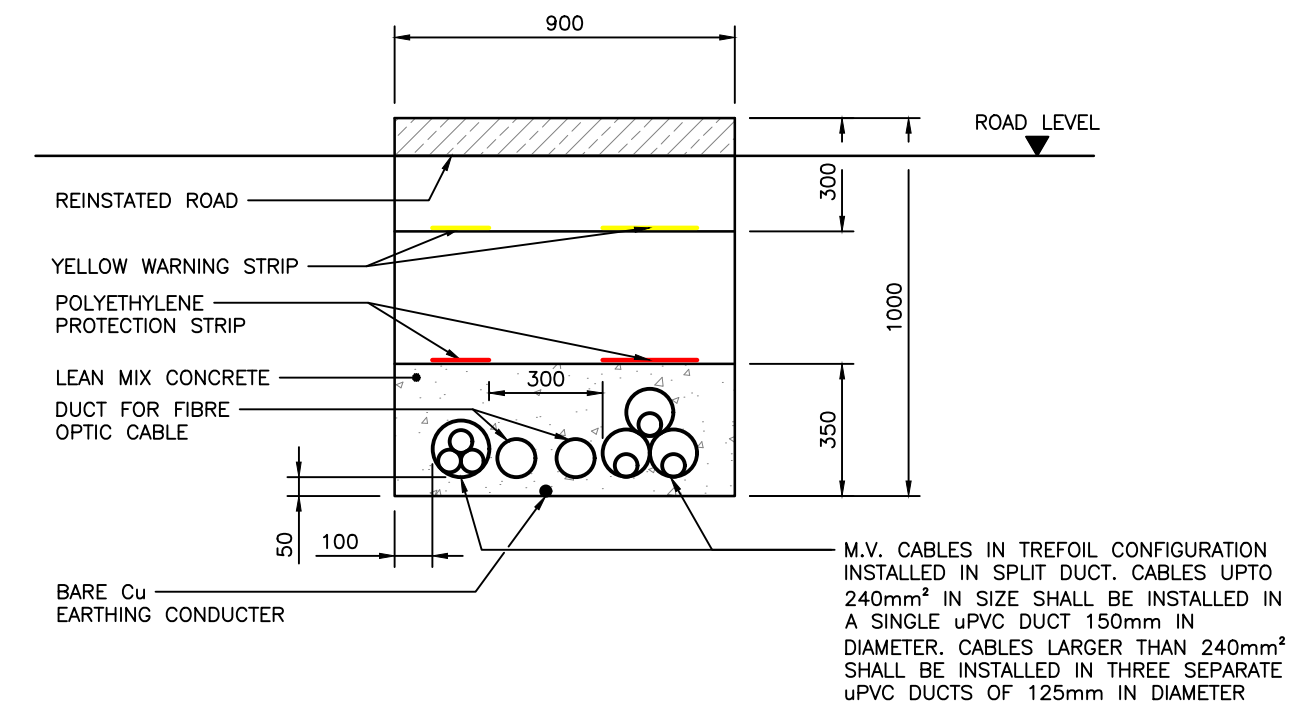
1. ALL DRAWINGS TO BE READ IN CONJUNCTION WITH THE SPECIFICATION AND ALL ENGINEER'S DRAWINGS. ANY DISCREPANCIES ARE TO BE NOTED IN WRITING TO THIS OFFICE IMMEDIATELY PRIOR TO COMMENCING THE WORK.
2. ALL DIMENSIONS ARE IN mm U.N.O. NO DIMENSIONS SHALL BE SCALED FROM THE DRAWINGS. ALL DIMENSIONS SHALL BE CHECKED ON SITE.



**TRENCH TYPE 1: TYPICAL SINGLE RADIAL
MV TRENCH CROSS SECTION**
SCALE 1:20



**TRENCH TYPE 2: TYPICAL DOUBLE RADIAL
MV TRENCH CROSS SECTION**
SCALE 1:20



TRENCH TYPE 3: TYPICAL ROAD CROSSING CROSS SECTION
SCALE 1:20

FOR INFORMATION ONLY

REV	DATE	REVISION DESCRIPTION	DRN	PROJ	VER	APP
1	07/08/18	CLIENT NAME REVISED	SB	KMcC	BM	FQ
0	31/07/18	ISSUED FOR INFORMATION	SB	KMcC	BM	FQ

©COPYRIGHT © ESB INTERNATIONAL LIMITED
ALL RIGHTS RESERVED. NO PART OF THIS WORK MAY BE MODIFIED, REPRODUCED OR COPIED IN ANY FORM OR BY ANY MEANS - GRAPHIC, ELECTRONIC OR MECHANICAL, INCLUDING PHOTOCOPIING, RECORDING, TAPING OR USED FOR ANY PURPOSE OTHER THAN ITS DESIGNATED PURPOSE, WITHOUT THE WRITTEN PERMISSION OF ESB ENGINEERING & FACILITY MANAGEMENT LTD., TRADING AS ESB INTERNATIONAL.

PURPOSE OF ISSUE - PRELIMINARY UNLESS INDICATED
 CLIENT APPROVAL PLANNING TENDER CONSTRUCTION AS-BUILT

CLIENT: ESB WIND DEVELOPMENT LTD. AND BORD NA MONA POWERGEN LTD.

PROJECT: ESB BNM SOLAR PV JV PROJECT

CONTRACT: TIMAHOE NORTH SOLAR PROJECT

DRAWING TITLE: M.V. / A.C. CABLE TRENCH SECTIONS

PRODUCTION UNIT: CIVIL & ENVIRONMENTAL ENGINEERING

ESB INTERNATIONAL
 One Dublin Airport Central,
 Dublin Airport, Cloughran, Co. Dublin
 Tel: 353 1 703 8000 Email: marketing@esbi.ie
 Web: www.esbinternational.ie
 ESB International is a trading name of
 ESB Engineering & Facility Management Ltd
 Registered Office: as above Registered in Ireland No. 155249

DRAWN	PRODUCED	VERIFIED	APPROVED	APPROVAL DATE
S. Bolton	K. McCloy	B. Murphy	F. Quigley	31/07/2018
CLIENT REF	NO. OF SHTS	SIZE	SCALE	
	1	A1	1:20	

DRAWING NUMBER: QS-000218-01-D453-006 SHEET: REV